


KG 5530 DE		Dış Ölçüler / Outside Dim.	538 x 303,5 x 300 mm.
		Döküm Yüzeyi (Üst - Alt) / Casting Surface (Upper / Lower)	Oluklu - Oluklu / Grooved - Grooved
		Pişirme Yüzeyi / Baking Surface	52 x 24 cm.
		Termostat Aralığı (°C) / Thermostat Interval (°C)	2 x 52 - 310 °C (Bağımsız / Independent)
		Toplam Elektrik Gücü (kW) / Total Power (kW)	3,50 kW.
		Elektrik Besleme Gerilimi (V/A) / Power Supply Voltage (V/A)	220 V F+N / 16 A.
		Besleme Kablosu / Power Supply Cable	3 x 1,5 H07RN-F
		İç Tesilat Kabloları / Internal Cable	SIAF 2,5 mm ²
		İzolasyon / Insulation	Taş Yünü / Rock Wool
		Ağırlık / Weight	32 kg.

NO.	AÇIKLAMA	DESCRIPTION	ÜRÜN NO. ITEM NO	ADET / PCS.
1	GÖVDE	MAIN BODY	KG5530DE-01	1
2	TABAN	LOWER COVER	KG5530DE-02	1
3	YAĞDANLIK	LUBRICATOR	KG5530DE-03	1
4	ÇERCEVE	FRAME	KG5530DE-04	1
5	ALT REZİSTANS TUTUCU	LOWER RESISTANCE HOLDER	KG5530DE-05	2
6	ALT REZİSTANS	LOWER RESISTANCE	KG5530DE-06	2
7	ALT İZOLASYON	LOWER INSULATION	KG5530DE-07	2
8	ALT DÖKÜM	LOWER CASTING	KG5530DE-08	1
9	ÜST DÖKÜM	UPPER CASTING	KG5530DE-09	2
10	ÜST KAPAK TUTUCU	UPPER COVER HOLDER	KG5530DE-10	2
11	SOL KOL	LEFT ARM	KG5530DE-11	2
12	SAĞ KOL	RIGHT ARM	KG5530DE-12	2
13	YÜZÜK	HANDLE CONNECTION ELEMENT	KG5530DE-13	4
14	DERLİN TUTAMAK	UP COVER LIFT	KG5530DE-14	2
15	KARE	SQUARE	KG5530DE-15	4
16	YAY	COIL	KG5530DE-16	2
17	ÜST REZİSTANS TUTUCU	UPPER RESISTANCE HOLDER	KG5530DE-17	2
18	ÜST REZİSTANS	UPPER RESISTANCE	KG5530DE-18	2
19	ÜST İZOLASYON	UPPER INSULATION	KG5530DE-19	2
20	ÜST KAPAK	UPPER COVER	KG5530DE-20	2
21	ARKA KAPAK	REAR COVER	KG5530DE-21	1
22	SPIRAL	CABLE PROTECTION	KG5530DE-22	2
23	BESLEME KABLOSU	FEEDING CABLE	KG5530DE-23	1
24	RAKOR	FEEDING CABLE SOCKET	KG5530DE-24	1
25	AYAK	FEET	KG5530DE-25	4
26	TERMOSTAT	THERMOSTAT	KG5530DE-26	2
27	ŞALTER	POWER SWITCH	KG5530DE-27	2
28	TERMOSTAT LAMBASI	THERMOSTAT LAMP	KG5530DE-28	2
29	TERMOSTAT DÜĞMESİ	THERMOSTAT BUTTON	KG5530DE-29	2
30	ŞALTER LAMBASI	POWER SWITCH LAMP	KG5530DE-30	2
31	ŞALTER DÜĞMESİ	POWER SWITCH BUTTON	KG5530DE-31	2



ÜRÜN ADI / PRODUCT

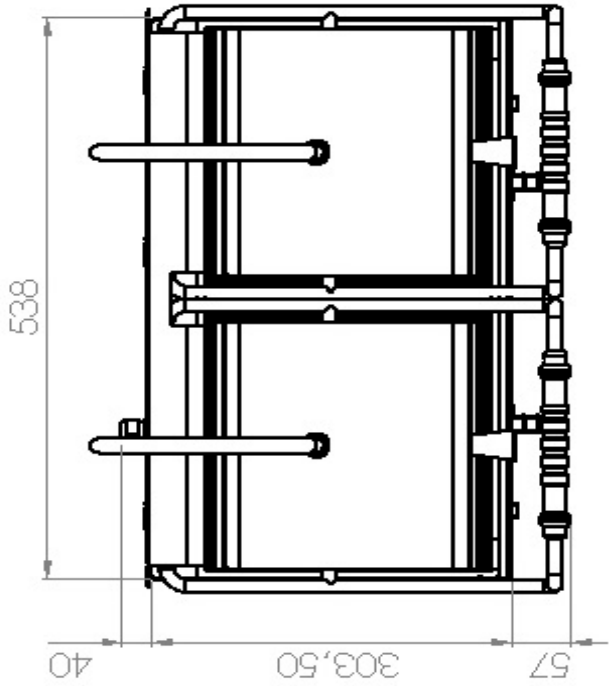
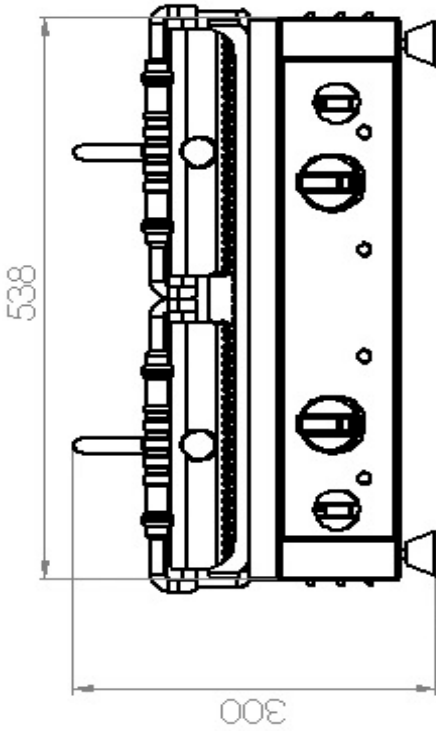
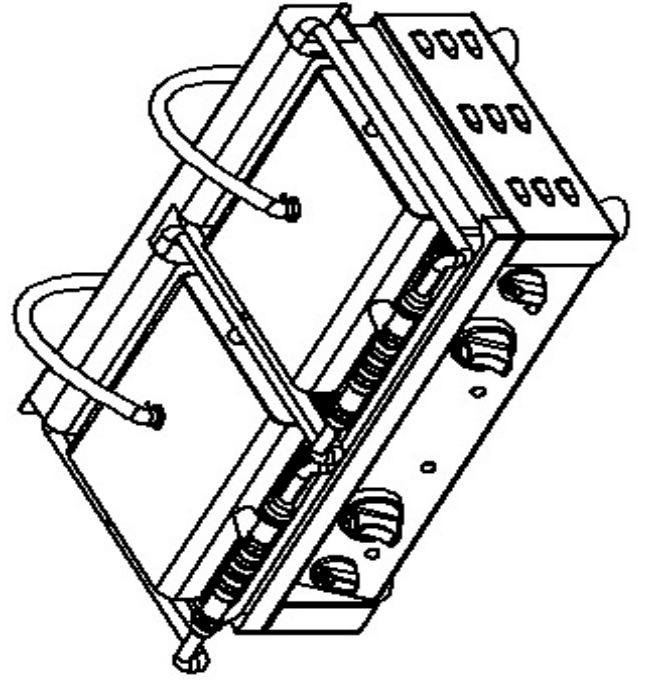
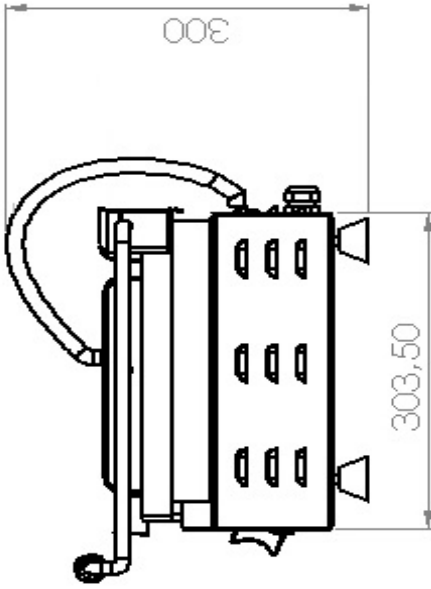
KG 5530 DE

TARİH / DATE

14.08.2018

**DETAY RESİM LİSTESİ
DETAIL PICTURE LIST**

SAYFA NO: 2 / 4
PAGE NO.: 2 / 4



ÜRÜN ADI / PRODUCT

KG 5530 DE

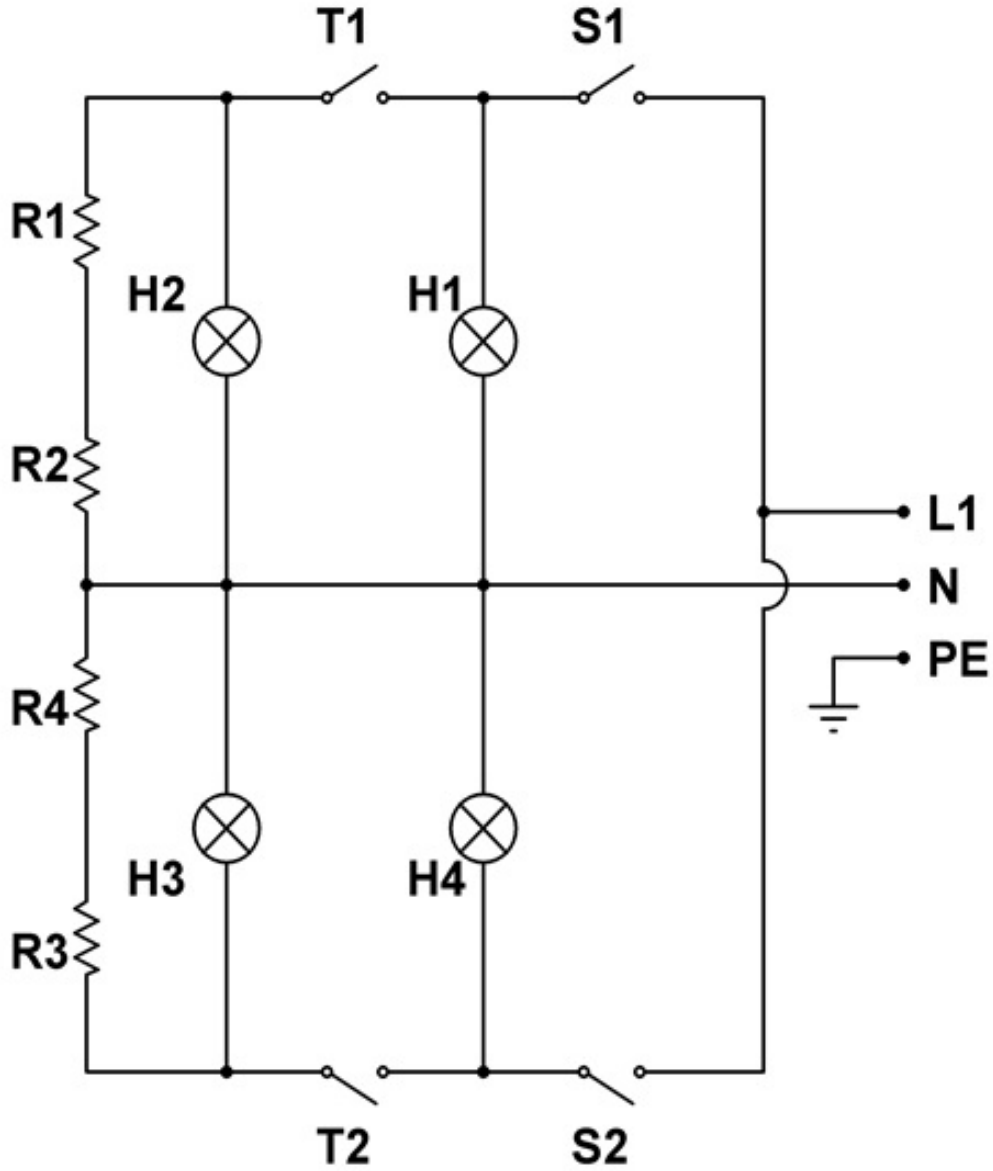
TARİH / DATE

14.08.2018

ÖLÇÜLENDİRME
MEASUREMENTS

SAYFA NO: 3 / 4
PAGE NO.: 3 / 4

KG 5530 DE - TOST MAKİNASI ELEKTRİK ŞEMASI
KG 5530 DE - CONTACT GRILL ELECTRICAL CIRCUIT DIAGRAM



NO	AÇIKLAMA / DESCRIPTION	NO	AÇIKLAMA / DESCRIPTION
R1 - R3	Rezistans / Resistance (650 W)	S1 - S2	Şalter / Power Switch
R2 - R4	Rezistans / Resistance (1100 W)	H1 - H4	Şalter Kontrol Lambası Power Switch Control Lamps
T1 - T2	Termostat / Thermostat (52 - 310 °c)	H2 - H3	Termostat Kontrol Lambası Thermostat Control Lamps