


<b>KGW 2530 E</b>		<b>Dış Ölçüler / Outside Dim.</b>	290 x 305,5 x 300 mm.
		<b>Pişirme Yüzeyi / Baking Surface</b>	2 x ( 10 x 17 x 1,5 cm. )
		<b>Termostat Aralığı (°C) / Thermostat Interval (°C)</b>	52 - 310 °C
		<b>Toplam Elektrik Gücü (kW) / Total Power (kW)</b>	2,2 kW.
		<b>Elektrik Besleme Gerilimi (V) / Power Supply Voltage (V)</b>	220 V F+N
		<b>Besleme Kablosu / Power Supply Cable</b>	3 x 1,5 H07RN-F
		<b>İç Tesisat Kabloları / Internal Cable</b>	SI AF 2,5 mm <sup>2</sup>
		<b>İzolasyon / Insulation</b>	Taş Yünü / Rock Wool
	<b>Ağırlık / Weight</b>	20 kg.	

NO.	AÇIKLAMA	DESCRIPTION	ÜRÜN NO. ITEM NO	ADET / PCS.
1	GÖVDE	MAIN BODY	KGW2530E-01	1
2	TABAN	LOWER COVER	KGW2530E-02	1
3	YAĞDANLIK	LUBRICATOR	KGW2530E-03	1
4	ÇERCEVE	FRAME	KGW2530E-04	1
5	REZİSTANS TUTUCU	RESISTANCE HOLDER	KGW2530E-05	2
6	REZİSTANS	RESISTANCE	KGW2530E-06	2
7	İZOLASYON	INSULATION	KGW2530E-07	2
8	ALT DÖKÜM	LOWER CASTING	KGW2530E-08	1
9	ÜST DÖKÜM	UPPER CASTING	KGW2530E-09	1
10	ARKA YAĞDANLIK	REAR LUBRICATOR	KGW2530E-10	1
11	SOL KOL	LEFT ARM	KGW2530E-11	1
12	SAG KOL	RIGHT ARM	KGW2530E-12	1
13	YÜZÜK	HANDLE CONNECTION ELEMENT	KGW2530E-13	2
14	DERLİN TUTAMAK	UP COVER LIFT	KGW2530E-14	1
15	AYAK	FEET	KGW2530E-15	4
16	SPIRAL	CABLE PROTECTION	KGW2530E-16	1
17	BESLEME KABLOSU	FEEDING CABLE	KGW2530E-17	1
18	RAKOR	FEEDING CABLE SOCKET	KGW2530E-18	1
19	ÜST KAPAK	UPPER COVER	KGW2530E-19	1
20	TERMOSTAT	THERMOSTAT	KGW2530E-20	1
21	ŞALTER	POWER SWITCH	KGW2530E-21	1
22	TERMOSTAT LAMBASI	THERMOSTAT LAMP	KGW2530E-22	1
23	TERMOSTAT DÜĞMESİ	THERMOSTAT BUTTON	KGW2530E-23	1
24	ŞALTER LAMBASI	POWER SWITCH LAMP	KGW2530E-24	1
25	ŞALTER DÜĞMESİ	POWER SWITCH BUTTON	KGW2530E-25	1



ÜRÜN ADI / PRODUCT

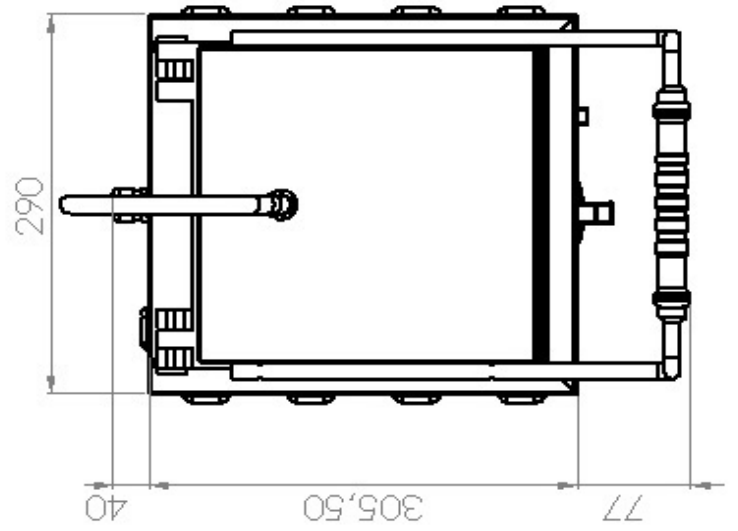
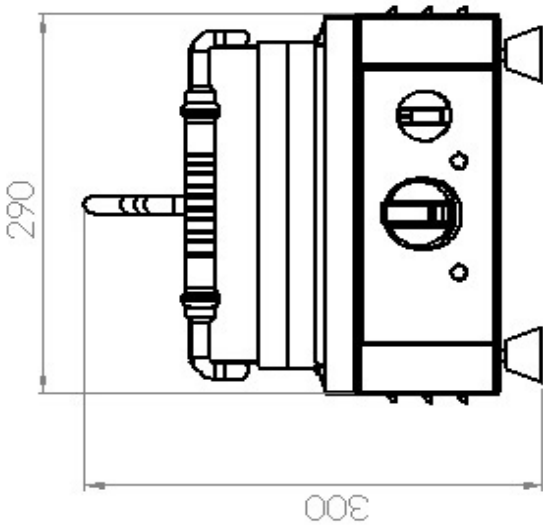
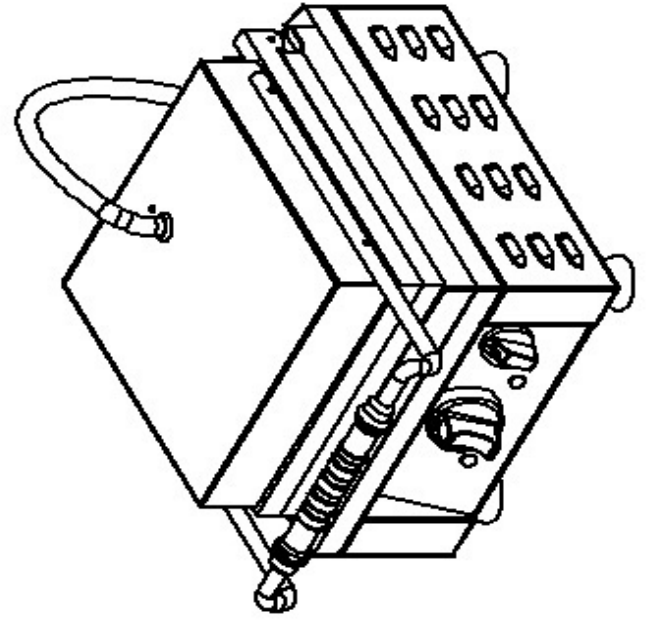
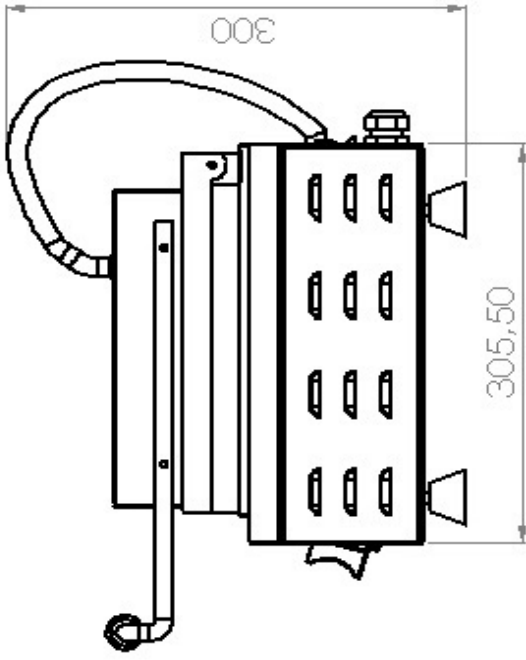
KGW 2530 E

TARİH / DATE

05.06.2018

DETAY RESİM LİSTESİ  
DETAIL PICTURE LIST

SAYFA NO: 2 / 4  
PAGE NO.: 2 / 4



ÜRÜN ADI / PRODUCT

KGW 2530 E

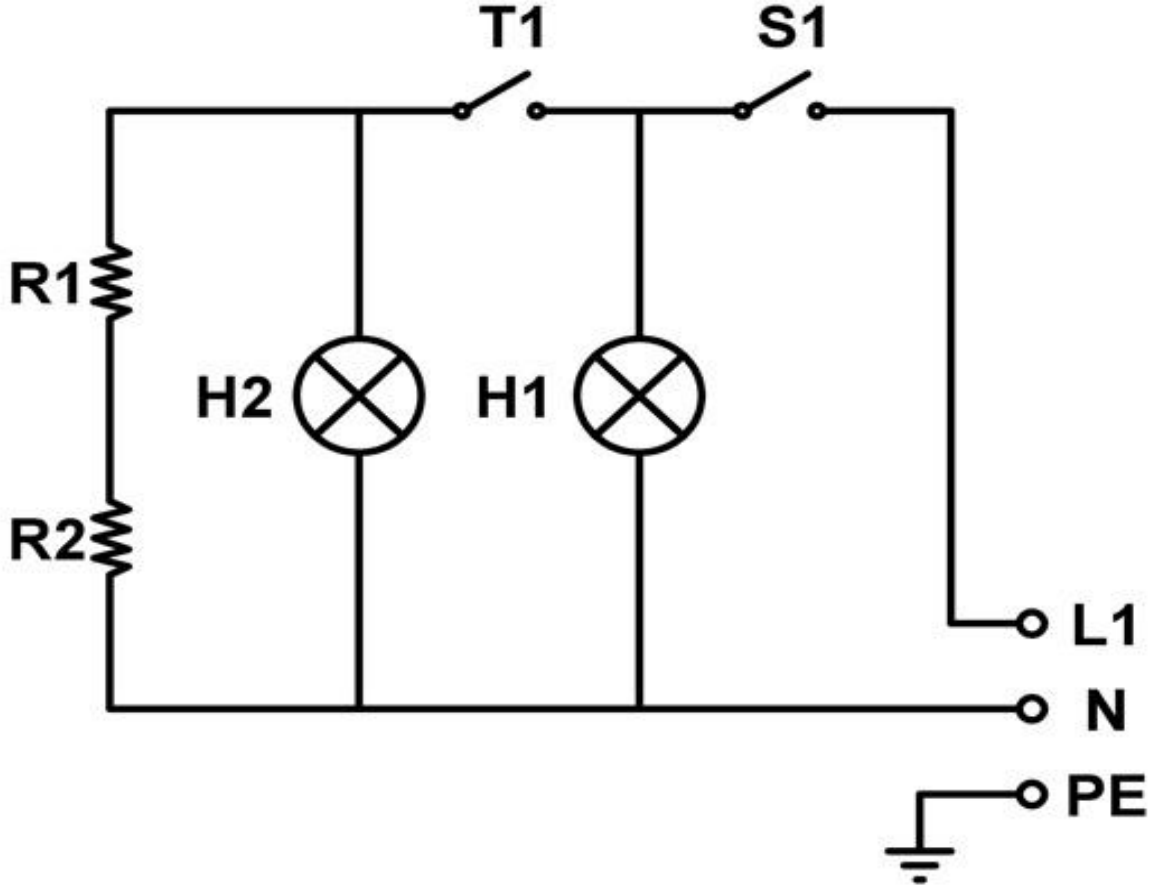
TARİH / DATE

05.06.2018

ÖLÇÜLENDİRME  
MEASUREMENTS

SAYFA NO: 3 / 4  
PAGE NO.: 3 / 4

**KGW 2530 WAFFLE MAKİNASI - ELEKTRİK ŞEMASI**  
**KGW 2530 WAFFLE MACHINE ELECTRICAL CIRCUIT DIAGRAM**



NO	AÇIKLAMA / DESCRIPTION	NO	AÇIKLAMA / DESCRIPTION
R1	Rezistans / Resistance ( 1100 W )	S1	Şalter / Power Switch
R2	Rezistans / Resistance ( 1100 W )	H1	Şalter Kontrol Lambası ( Kırmızı ) Power Switch Control Lamps ( Red )
T1	Termostat / Thermostat ( 52 - 310 °C )	H2	Termostat Kontrol Lambası ( Yeşil ) Thermostat Control Lamps ( Green )

NO.	STOK KODU	AÇIKLAMA / DESCRIPTION	AD. PCS.	ALİŞ FİYATI	SATIŞ FİYATI
1		GÖVDE / MAIN BODY	1		
2		TABAN / LOWER COVER	1		
3		YAĞDANLIK / LUBRICATOR	1		
4		ÇERCEVE / FRAME	1		
5		REZİSTANS TUTUCU RESISTANCE HOLDER	2		
6		REZİSTANS / RESISTANCE	2		
7		İZOLASYON / INSULATION	2		
8		ALT DÖKÜM / LOWER CASTING	1		
9		ÜST DÖKÜM / UPPER CASTING	1		
10		ARKA YAĞDANLIK / REAR LUBRICATOR	1		
11		SOL KOL / LEFT ARM	1		
12		SAĞ KOL / RIGHT ARM	1		
13		YÜZÜK / HANDLE CONNECTION ELEMENT	2		
14		DERLİN TUTAMAK / UP COVER LIFT	1		
15		AYAK / FEET	4		
16		SPİRAL / CABLE PROTECTION	1		
17		BESLEME KABLOSU / FEEDING CABLE	1		
18		RAKOR / FEEDING CABLE SOCKET	1		
19		ÜST KAPAK / UPPER COVER	1		
20		TERMOSTAT / THERMOSTAT	1		
21		ŞALTER / POWER SWITCH	1		
22		TERMOSTAT LAMBASI / THERMOSTAT LAMP	1		
23		TERMOSTAT DÜĞMESİ / THERMOSTAT BUTTON	1		
24		ŞALTER LAMBASI / POWER SWITCH LAMP	1		
25		ŞALTER DÜĞMESİ / POWER SWITCH BUTTON	1		



ÜRÜN ADI / PRODUCT

KGW 2530 E

TARİH / DATE

05.06.2018

YEDEK PARÇA FİYAT LİSTESİ  
SPARE PARTS PRICE LIST